

THE TRUSTED NAME IN METAL ROOFING



PRODUCT CATALOG



1.888.393.0335 | www.GulfCoastSupply.com

YOUR SUCCESS IS OUR SUCCESS.

As the Southeast's trusted choice for metal roofing for almost 30 years, Gulf Coast Supply & Manufacturing safely provides the best value in metal roofing through product availability, fast and reliable service, and industry expertise. We offer start-to-finish metal roofing solutions.



Our team stands ready to deliver project success.

With over 45+ color options and 9 profiles to choose from, Gulf Coast Supply & Manufacturing offers complete metal roofing solutions. While metal roofing is crucial, it is only part of what Gulf Coast Supply offers. Gulf Coast Supply prides itself on offering start-to-finish solutions for our customers.

Gulf Coast Supply provides services such as the **ProofMyRoof™ visualizer** and **QuickQuote™** quoting service to provide quality estimating and sales tools to your team. Expert sales staff and industry-leading turnaround times help ensure that your project is completed correctly and on-time. Gulf Coast Supply's **Contractor's Advantage™** offers a comprehensive education program for executive teams as well as hands-on training for installers.

From first call to project closeout, Gulf Coast offers everything you need.



TABLE OF CONTENTS

General Building Components

Panels	3
Soffit.....	4
Skypanels	5
Insulation and underlayment.....	5

Accessories

Screws	6
--------------	---

Clips	7
--------------------	---

Tools and Purlins	8
--------------------------------	---

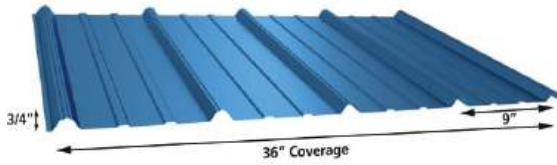
Closures	9
-----------------------	---

Boots, Paint, Sealants	10
-------------------------------------	----

Trims

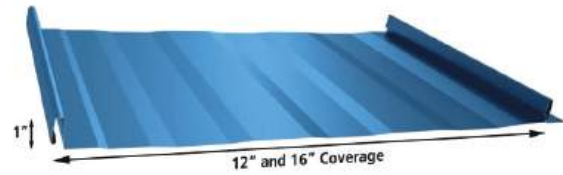
Ridge Caps	11
Eave Trims.....	12
Gable Trims	13
Wall Flashings	14
Transitions and Valleys.....	15
Corner Trims	16
Panel Capping Trims	17
Building Trims	18
Other Trims	19
Custom Trim Order Form	20
Order Form.....	21

GULF COAST PANEL PROFILES



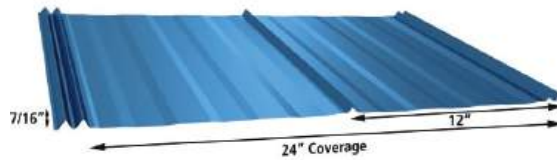
GulfRib™
Exposed fastener

XXXTR24
XXXTR26(K)
XXXTR29



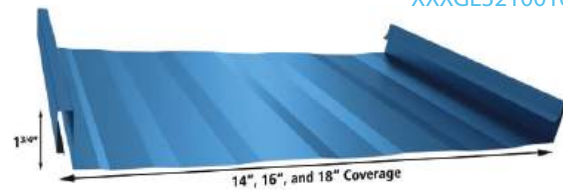
GulfLok™
1" snaplock with screw-flange

XXXGL2410012
XXXGL2410016
XXXGL2610012(K)
XXXGL2610016(K)
XXXGL3210012
XXXGL3210016



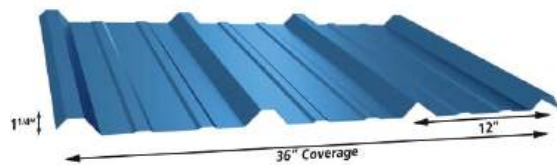
5V Crimp
Exposed fastener

XXX5V24
XXX5V26(K)



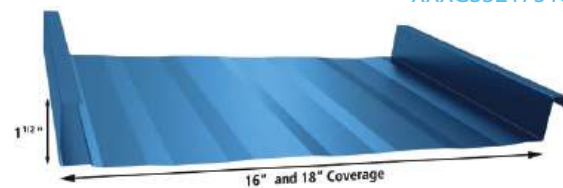
GulfSeam™
1-3/4" snaplock clip system

XXXGS2417514
XXXGS2417516
XXXGS2417518
XXXGS2617514
XXXGS3217514
XXXGS3217516
XXXGS3217518



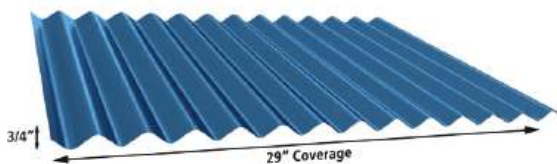
GulfPBR™
Exposed fastener

XXXPB24
XXXPB26(K)



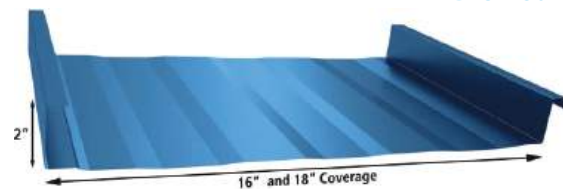
VersaLoc™
1-1/2" mechanical seam

XXXDL2415016
XXXDL2415018
XXXDL3215016
XXXDL3215018



GulfWave™
Exposed fastener

XXXCO24
XXXCO26(K)

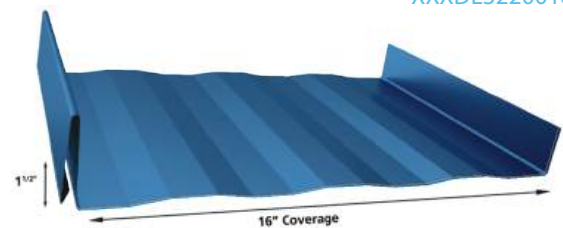


MegaLoc™
2" mechanical seam

XXXDL2420016
XXXDL2420018
XXXDL3220016
XXXDL3220018

View Our Color Chart:

Order Online



GulfSnap™

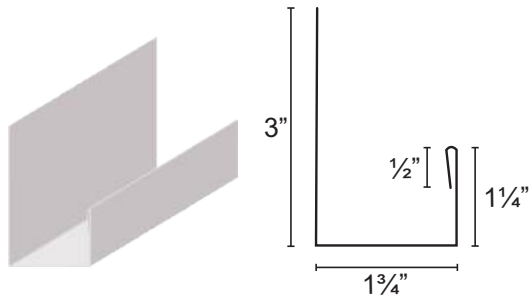
XXXEL2415016
XXXEL3215016

Replace "XXX" with the applicable paint color code, or with "GLM" for unpainted (steel only).
All measurements are nominal and can vary according to the building code.

SOFFIT

SOJ

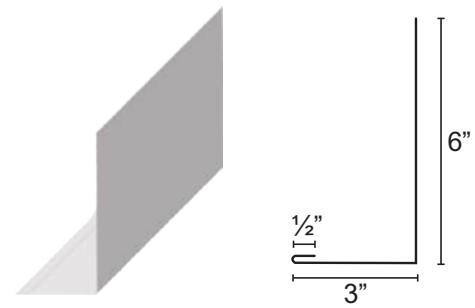
Soffit J-Channel



XXSOJ24
XXXSOJ32

SFR

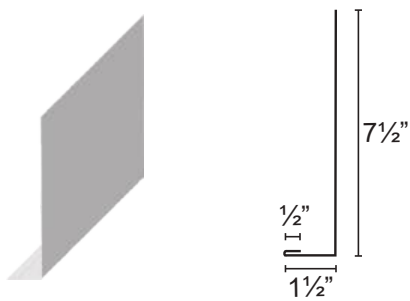
Soffit Fascia for Flush Fascia



XXXSFR24
XXXSFR32

SFF

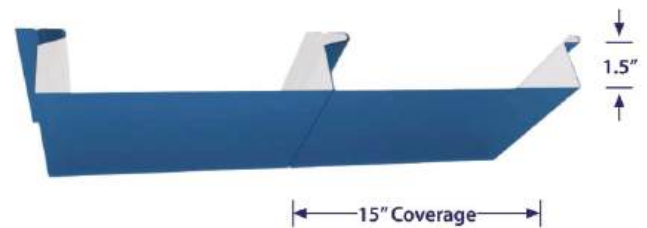
Soffit Fascia for Revealed Fascia



XXXSFF24
XXXSFF32

Soffit

Soffit Fascia for Revealed Fascia
10' Length Max



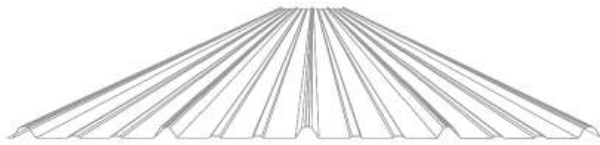
PAISO2415
PAISO3215

Perforated and non-perforated available.

SKYPANELS



- » 12' long x 1 mm or 1.5 mm
- » Additional lengths and thicknesses can be ordered



Matches GulfRib™ panel

STOCKED

SSWTR1012 matches white GulfRib™

SSCTR1012 matches clear GulfRib™



Matches GulfPBR™ panel

STOCKED

SSWPB1012 matches white GulfPBR™

SSCPB1012 matches clear GulfPBR™

SPECIAL ORDER

SSWPB1512 1:5mm thick matches white GulfPBR™

INSULATION AND UNDERLAYMENT



TYVEK160

**Tyvek Protec 160
Synthetic Nailable
Underlayment**

10 sq. roll, 40 yr. limited warranties
4' x 250'
36/Pallet



TITNAIL

**Grip-Rite® Button
Cap Roofing Nails**

1" Roof Nails
3000/tub
Sold by the bucket



GCSPSU

**GulfShield™ HT
Peel-and-Stick Underlayment**

2 sq. rolls, 36' x 67', 45 mil
25/pallet



INTAW3X165

Insulation Seam Tape

3" wide x 165' long
Silver
16/case



TITPSU Modified Rubberized asphalt Peel & Stick underlayment

Titanium PSU30

2 sq. roll, 36" X 72' ROLLS
25 ROLLS/PALLET



FELT30

#30 Felt

ASTM D226
2 sq. roll, 3' x 72'



DBWF Double-bubble foil white on one side; reflective on other side poly. 4' x 125'

Reflective Foil Insulation

500/sq. ft. rolls

SCREWS

UltiMate #10-14 Long-Life Ultimate Fasteners

- » Ideal for 5V roof applications
- » Washer protects and seals under the head
- » 5/16" Head & Type-17 Point
- » Lifetime Warranty



PAIWU	1.5", 2000/case
PAIWU1	1", 2500/case
PAIWU2	2", 1500/case
PAIWU2.5	2.5", 1000/case

Long Life #1/4-14x7/8" LapStitch Ultimate Fasteners

- » Ideal for metal to metal applications
- » 5/16" Hex Head & TCP1 Point Type
- » Lifetime Warranty



PAILAPU	2500/case
----------------	-----------

Ultimate #12-14 Self Driller

- » Replacement fastener in metal to wood application
- » 5/16" Hex Head & 26 Degree Sharp Point
- » Zinc cast head for long life performance



PAISD1.25A	2000/case
PAISD1.5A	1500/case

Ultimate Long Life WoodTite Fastener #12 - 2"

- » Replacement fastener in metal to wood application
- » EPDM Tubular Washer & Carbon Steel Shank
- » 5/16" Hex Head & 26 Degree Sharp Point
- » Zinc cast head for long life performance



PAIW XU - 1.5"	2000/case
PAIW XU2 - 2"	1500/case

EnduraFast Fasteners #10-14 HWH DLP 410 SS

- » Ideal for metal to ACQ (Alkaline Copper)
- » 410 stainless steel with black e-coating
- » 1/4" Hex Head & 26 Degree Sharp Point



PAIWE	1.5", 2500/case
PAIWE1	1", 2500/case
PAIWE2	2", 2000/case
PAIWE2.5	2.5", 1000/case

Pancake Self-Drilling Screws #12 - 1"

For attaching standing seam panels and clips to steel



PCSD	5000/case
-------------	-----------

Pancake Type "A" for wood #12

#12 x 1", 1-1/2", or 2". Available in carbon and stainless steel



PCWGL - 1"	5000/case
PCWGL1.5 - 1.5"	5000/case
PCWGLST - 1" Stainless Steel	5000/case

Pancake Type "A" for wood #10

10-12 X 1", 1 1/2", 2", or 3". Available in carbon and stainless steel.



PCWCLIP - 1"	5000/case
PCWLIP1.5 - 1.5"	2500/case
PCWCLIP2 - 2"	2000/case
PCWCLIP3 - 3"	2000/case
PCWCLIPST - 1" Stainless Steel	5000/case
PCWCLIP2ST - 2" Stainless Steel	5000/case

#1/4-14 x 7/8" Flat Top Lap Self-Drilling Fasteners

- » Ideal for metal to metal applications
- » 5/16" Hex Head and TCP Self Drilling Point
- » Carbon Steel



PAILAPA	2500/case
----------------	-----------

Flat Top #12-14 x1" Lap Screws

(5/16" flattop head). Available In SMP and PVDF Colors



PAISD1A	2500/case
----------------	-----------

WoodTite - 1" #10-16 HWH HLX WoodTite Fastener

- » Ideal for multiple layers of metal panels
- » Available in all colors
- » Bonded washer provides positive sealing
- » 1/4" Head & Type 17 point
- » Carbon steel with long-life coating



WT	1.5" 2500/case
WT2	2" 2000/case
WT2.5	2-1/2" 1000/case
WT3	3" 1000/case

1/8" #43 Stainless Steel Rivets

Available in all colors. Use with steel panels and trim. 1/8" Rivet Diameter 100/Bag & 10 bags/case Sold by bag qty



PAISD1.25A - 1.25"	2000/case
PAISD1.5A - 1.5"	1500/case

1/8" x 3/16" #43 Buttonhead Aluminum Rivets

Available in .032 colors.

- » Use with aluminum panels and trim
- » 1/8" Rivet Diameter
- » 100/bag & 10 bags/case
- » Sold by bag qty



PAIALRIVET100	100/bag
----------------------	---------

*Most screws sold by bag of 250/ea

SCREWS AND CLIPS



#10-16 x 1-1/2 IN 302 SS

- » Used where corrosive environments require stainless fasteners.
- » .0003 Mechanical Zinc plated / .0003 Electro-Cad Plated / .0005 Min Mechanical Zinc Plated for lubrication during installation.
- » Type-B & BP points have fluted threads designed for tapping heavy gauged steel.
- » Ductility for high-stress applications.
- » Made from 100% 304 stainless wire.
- » 304 Stainless Steel are Made in the USA.



PAISS1.5A 2500/case

2 1/2" & 3" Star Drive Deck Screws

- » 2 1/2"
- » Per screw or by the case.
- » Lifetime Warranty
- » Screw for both white and pressure treated wood.
- » Sold by the case.



DMIDSPGS-CSE 2000/CASE
DMIDSPG3S-CSE 1500/CASE

Scamp Screws

- » Stainless cap, #12
- » 1-1/2" and 2"
- » Unpainted screws in stock. Type 17 cut point.
- » Lifetime Warranty screw



GLMSC 1.5" - 2500/case
GLMSC2 2" - 1500/case

#14-10 WOODTITE

- » 5/16" Hex Head And Type-17 Sharp Point
- » Mechanically Plated With Long Life Coating
- » 1" and 1-1/2" Available

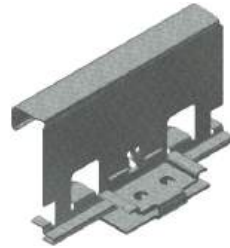


PAIGOOFW1 2500/case
PAIGOOFW1.5 2000/case

Mechanical Seam Floating Clip

For 2" high MegaLoc™ Panels

CSFL205G 110/case
CSFL210G 110/case*
 *Special order.
 For Open Framing



GulfSeam™ Clip

1-3/4" x 3-1/2" 18GA
 For fastening GulfSeam™ panels

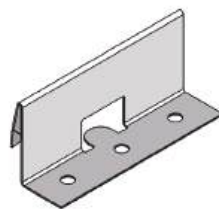
GS175G 250/case Galvanized
GS175S 250/case Stainless
 *Sold by case



GulfSnap™ Clip

1.5 snap seam For fastening GulfSnap™ panels

GS150G 600/case



Mechanical Seam 2-Piece Butterfly Clip

For 2" MegaLoc™



MLBG18 - 18 GA Galvanized Base 150/case
MLTG18 - 22 GA Galvanized Tab 150/case
CSSBS18 - Stainless Base 150/case
CSST200S22 - Stainless Top 150/case
 Sold by Case

#14 ID x 1" OD Galvanized dish

With bonded neoprene washer. Used with Sky Panels



WASH1 2000/case

Mechanical Seam 1-Piece Clip

24GA 1-1/2 X 3 Wide X 1 Base
 For 1.5" VersaLoc™ Panels



VL150G - Galvanized 500/case
VL150S - Stainless 500/case
 *Sold by case

TOOLS AND WOOD PURLINS

Standing Seam Hemming Tool



Standard (20")
HT

HTP24 - 24" Wide Tool
HTP15 - 15" Wide Tool

TSHD

Malco® Turbo Sheer HD

- » Use with minimum 14.4V 3/8" Drill
- » Up To 18-Gauge (1.22 Mm) Cutting Capacity
- » Limited Lifetime Warranty



1412YP 12' lengths
Southern Yellow Pine #2
1"x4"x12'

Midwest Tool® Snips and Seaming Tools

Up to 18 GA Cutting Capability

MWT-Snip Right

MWT-Snip Left



MWT-Snip Straight

MWT-Snip Long



MWT-Seamer Set
3" Seamer And 6"
Interchangeable
Blades Included

MWT-5 Seamer - 5" Straight
Aluminum Blades

MWT-9 Seamer - 9" Straight
Aluminum Blades

MWT-15 Seamer - 15" Straight
Aluminum Blades

Seaming Tools

Provided by DMI Inc.



Rent or purchase at

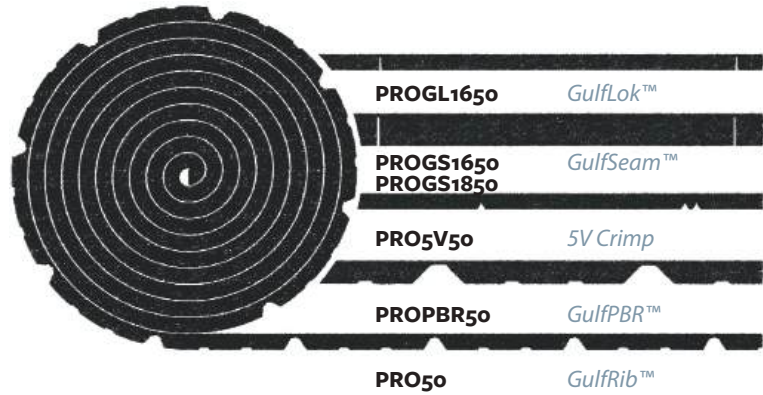
<http://www.gulfcoastsupply.com/DI>

CLOSURE SOLUTIONS



Profile Vent®

Our best venting solution comes in lengths of 50'



CLOSURES

Closures come in panel widths.
Sold by the strip, 10 per strip, 10 strips per case

5V Crimp

Inside **ISC5V-10**
Outside **OSC5V-10**

GulfRib™

Inside **ISC-10**
Outside **OSC-10**

GulfPBR™

Inside **ISCPBR-10**
Outside **OSCPBR-10**

GulfWave™

Inside **OSCCOR**
Outside **ISCCOR**

VENTED CLOSURES

Vented closures come in panel widths.
Sold by the strip, 10 per strip, 10 strips per case
40 Year Limited Warranty

5V Crimp Vented VC5V

GulfRib™ Vented VC

GulfPBR™ Vented VCPBR

Gooseneck Vents

White Aluminum and Galvalume available in 4", 6", and 10"



GNECK4
GNECK6
GNECK10

Peel and Seal®

For sealing hips and ridges

- » Aluminum back
- » 33½' x 6-inch roll
- » 10 year Limited Warranty



PS6 6/case
Sold by roll

Flex-o-vent®

Flex-O-Vent is our most economical polyester-based ventilation product.



- » 1-1/2" x 3" x 20' roll, shrink-wrapped.
- » Available in 20' rolls and multiple packaging options
- » Won't absorb moisture, which can freeze and block all ventilation
- » 2 beads of M63 Marco proprietary adhesive for superior hold
- » Easy, one-person installation
- » 40 year limited warranty
- » ASTM testing: D1929, D737

Net Free Area: FOV - 1" free-standing product, NFA 23 sq. in.*
1- 1/2" x 3" x 10': Rib heights up to 1-1/4"
1- 1/2" x 2" x 10': Rib heights up to 1-1/4"
1" x 3" x 10': Rib heights up to 3/4"
1" x 2" x 10': Rib heights up to 3/4"
Air Permeability: >760 cubic feet per minute

Flex-o-vent® (Continued)

Cold Cracking: -55° C (-130° F)
Tear Strength: 3.5 ppi
Tensile Strength: 16 psi – Elongation 175%
Compressive Strength: 1.8 psi at 75%
*Effective Net Free Area varies based on product.

FOV 1-20' roll per pkg.

Expanding Foam

Expands to fill up voids.
Recommended for sealing panels over valleys.



- » 5V Crimp, GulfWave™: expands from ¼" up to 1"
- » GulfRib™, GulfPBR™: expands from 3/8" up to 1½"

XF120 12/case - 1" x 1" x 20'
XF5 12/case - 1" x 1.5" x 15'

BOOTS, PAINTS, AND SEALANTS

Pipe Boots

Gray (#3 in 10 colors*) for temperatures up to 250°
20 Year Limited Warranty

- » #3: ½" - 5" PAIPB3 15/case
- » #5: 4¼" - 7¾" PB5 10/case
- » #6: 5" - 9" PB6 10/case
- » #7: 6" - 11" PB7 10/case
- » #8: 7" - 13" PB8 5/case
- » #9: 9" - 19" PB9 5/case



*Available in red, dark gray, light gray, brown, dark green, light blue, dark blue, white, tan, & black

PB3: BAR, CHA, LIG, COB, DAG, HAB, COS, POW, MOT, & BLA

Silicone Pipe Boots

Gray, hi-temp (up to 450°
20 Year Limited Warranty)

- » #3: ½" - 5" PBSIL3 15/case
- » #5: 4¼" - 7¾" PBSIL5 10/case
- » #6: 5" - 9" PBSIL6 10/case
- » #7: 6" - 11" PBSIL7 10/case
- » #8: 7" - 13" PBSIL8 5/case
- » #9: 10" - 19" PBSIL9 5/case

Retrofit/Electrical Boots

Gray with steel cleats

- » #1: ¼" - 4½"

EB1 1/8" - 4-1/2", 20/case



Touch-up Paint

Approximate match to paint used on panels purchased from GCSM
Available in SMP and TRINAR



- » 4 oz. brush-top cans
- » 4 oz. brush-top cans

PAITUP4S - SMP
PAITUP4T - TRINAR

Spray Paint

Approximate match to paint used on panels and trim purchased from GCSM. Not to be used on panels or trim.
Available in SMP and TRINAR



PAITUPS12S - SMP
PAITUPS12K - TRINAR

Snap-Z

Available in Aluminum by request



- SNAPZ2610011 12" GulfLok™ Steel Panel
- SNAPZ3210015 16" GulfLok™ Aluminum Panel
- SNAPZ2610015 16" GulfLok™ Steel Panel
- SNAPZ3217513 14" GulfSeam™ Aluminum Panel
- SNAPZ2617513 14" GulfSeam™ Steel Panel
- SNAPZ3217515 16" GulfSeam™ Aluminum Panel
- SNAPZ2617515 16" GulfSeam™ Steel Panel
- SNAPZ3217517 18" GulfSeam™ Aluminum Panel
- SNAPZ2617517 18" GulfSeam™ Steel Panel
- SNAPZ3215015 16" VersaLoc™ Aluminum Panel
- SNAPZ2615015 16" VersaLoc™ Steel Panel
- SNAPZ3215017 18" VersaLoc™ Aluminum Panel
- SNAPZ2615017 18" VersaLoc™ Steel Panel
- SNAPZ3220015 16" MegaLoc™ Aluminum Panel
- SNAPZ2620015 16" MegaLoc™ Steel Panel
- SNAPZ3220017 18" MegaLoc™ Aluminum Panel
- SNAPZ2205017 18" MegaLoc™ Steel Panel
- SNAPZ2610011 12" GulfLok™ Steel Panel
- SNAPZ3210015 16" GulfLok™ Aluminum Panel
- SNAPZ2610015 16" GulfLok™ Steel Panel
- SNAPZ3217513 14" GulfSeam™ Aluminum Panel
- SNAPZ2617513 14" GulfSeam™ Steel Panel
- SNAPZ3217515 16" GulfSeam™ Aluminum Panel
- SNAPZ2617515 16" GulfSeam™ Steel Panel
- SNAPZ3217517 18" GulfSeam™ Aluminum Panel
- SNAPZ2617517 18" GulfSeam™ Steel Panel
- SNAPZ3215015 16" VersaLoc™ Aluminum Panel
- SNAPZ2615015 16" VersaLoc™ Steel Panel
- SNAPZ3215017 18" VersaLoc™ Aluminum Panel
- SNAPZ2615017 18" VersaLoc™ Steel Panel
- SNAPZ3220015 16" MegaLoc™ Aluminum Panel
- SNAPZ2620015 16" MegaLoc™ Steel Panel
- SNAPZ3220017 18" MegaLoc™ Aluminum Panel
- SNAPZ2205017 18" MegaLoc™ Steel Panel

Sold in boxes of 10/ea

Titebond®

Adhesive/Sealant

- » UV resistant
- » 1% shrinkage to 0°F application
- » Very flexible
- » Fill up to 1" gaps
- » Paintable in 1-2 hours
- » Solvent-Free
- » Bonds to wet surfaces
- » Colors matched to panels



PAITB
COPSS (Copper Solar Seal) 12/case

Backer Rods



helps reduce the visible effects of oil canning

BR1/2-CSE
BR5/8-CSE

Butyl Sealant Tape

Our most economical general purpose sealing solution

3/4" x 3/32" x 50'



BUTYL-S 32/case - 1/2"

Snap-Z .032 Aluminum

SPECIAL ORDER

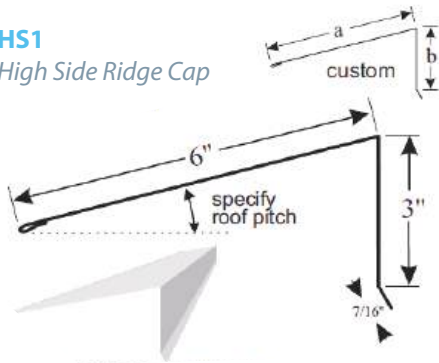
Withstands 110 MPH winds
Net free area up to 12 sq. in. per linear foot of ridge
Air-flow: 730 cu. ft. per min. (per 10' ridge)
Sold by box of 10/EA

RIDGE CAPS

PAI__26(K)
PAI__24
PAI__32

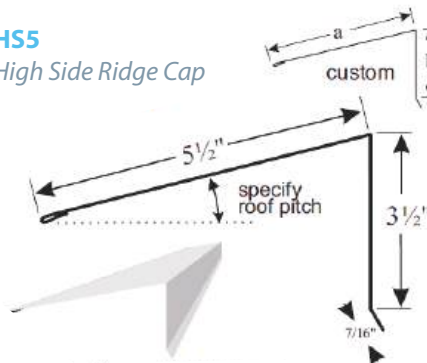


HS1
High Side Ridge Cap



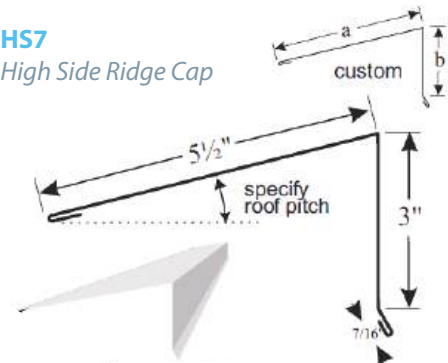
Application: GulfRib™

HS5
High Side Ridge Cap



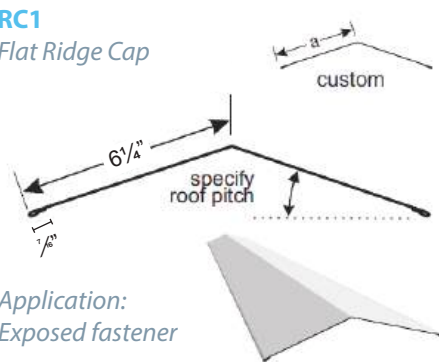
Application: GulfPBR™

HS7
High Side Ridge Cap



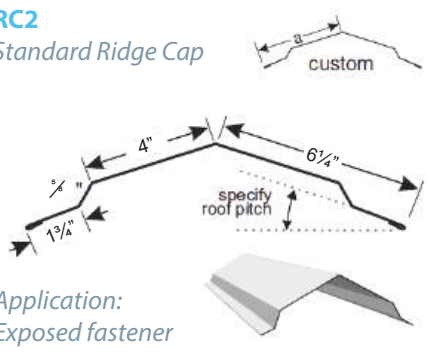
Application: GulfLok™

RC1
Flat Ridge Cap



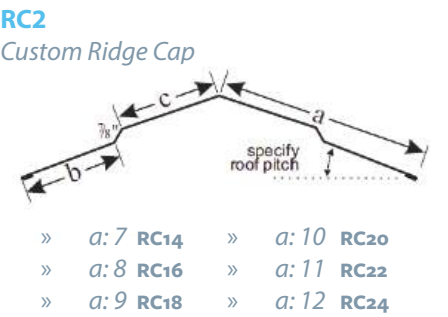
Application:
Exposed fastener

RC2
Standard Ridge Cap



Application:
Exposed fastener

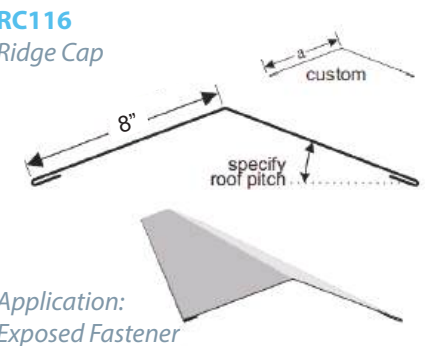
RC2
Custom Ridge Cap



- » a: 7 RC14 » a: 10 RC20
- » a: 8 RC16 » a: 11 RC22
- » a: 9 RC18 » a: 12 RC24

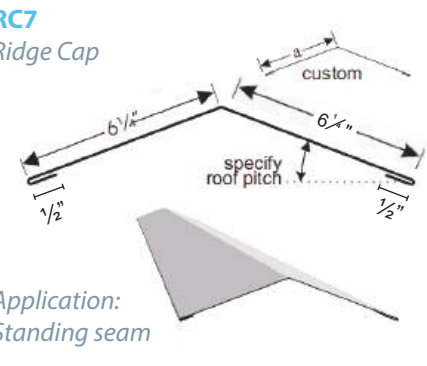
Application: Exposed fastener

RC116
Ridge Cap



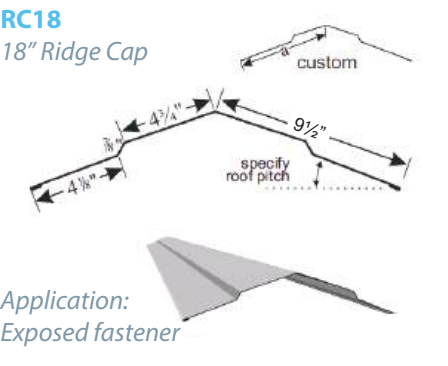
Application:
Exposed Fastener

RC7
Ridge Cap



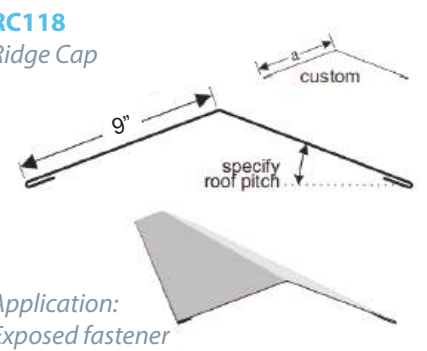
Application:
Standing seam

RC18
18" Ridge Cap



Application:
Exposed fastener

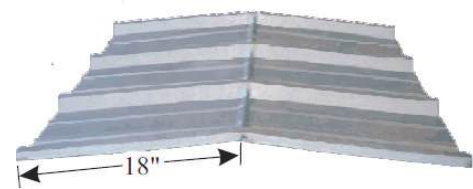
RC118
Ridge Cap



Application:
Exposed fastener

Die-formed Ridge Cap

24, 26 ga. 3' coverage. All colors available.
1/12 pitch only.



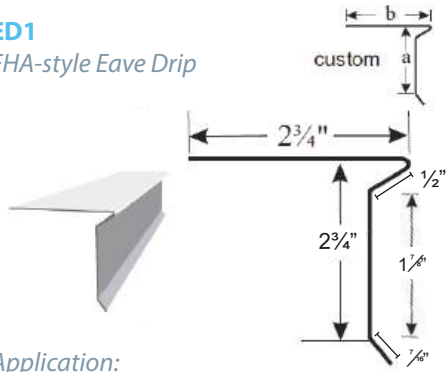
Application: Gulf PBR™

PAIRCDF26
PAIRCDF24

EAVE TRIMS

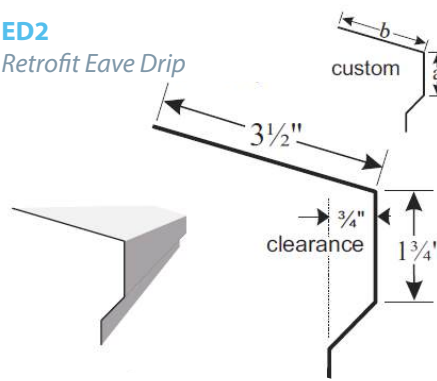
PAI__26(K)
PAI__24
PAI__32

ED1
FHA-style Eave Drip



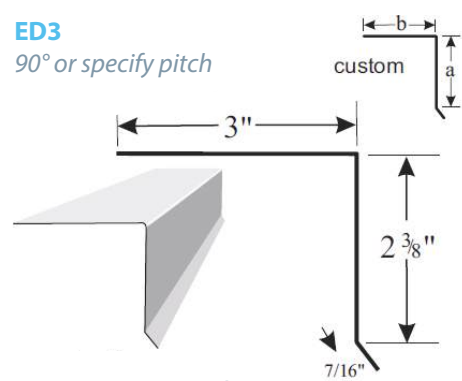
Application:
Exposed fastener or shingles

ED2
Retrofit Eave Drip



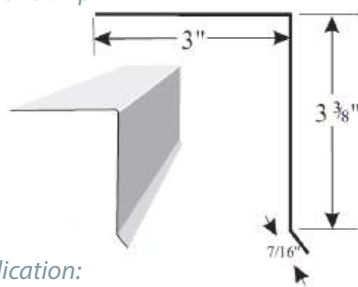
Matches GR1 Mini-Rake

ED3
90° or specify pitch



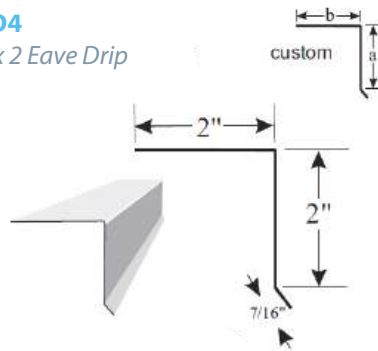
Application: All profiles

ED3B
90° Eave Drip



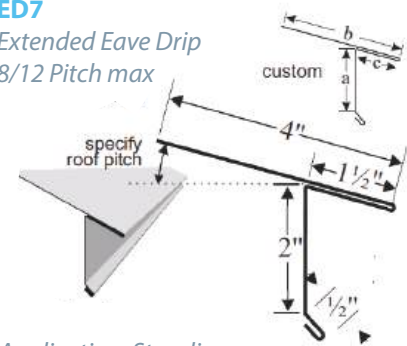
Application:
All profiles over battens

ED4
2 x 2 Eave Drip



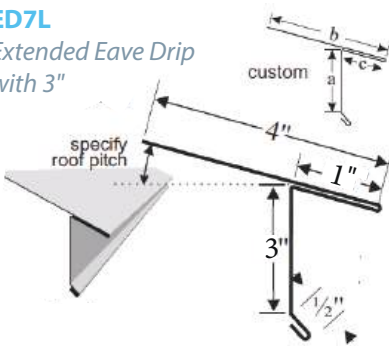
Application: All profiles

ED7
Extended Eave Drip
8/12 Pitch max



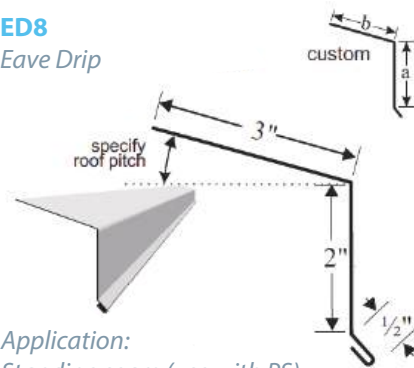
Application: Standing seam

ED7L
Extended Eave Drip
with 3"



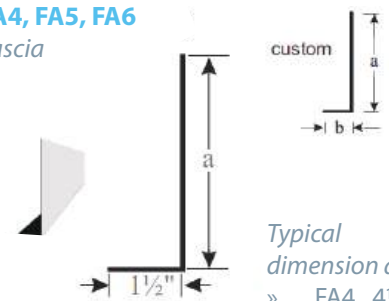
Application: Standing seam

ED8
Eave Drip



Application:
Standing seam (use with PS)

FA4, FA5, FA6
Fascia



Application:
All profiles

- Typical dimension a:
- » FA4 4 1/2"
 - » FA5 5 1/2"
 - » FA6 6 1/2"

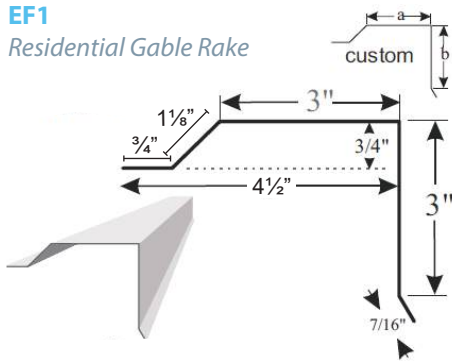
GABLE TRIMS

PAI__26(K)
PAI__24
PAI__32



EF1

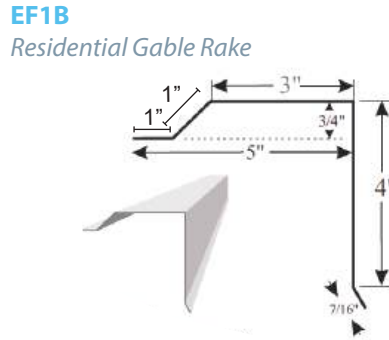
Residential Gable Rake



Application: GulfRib™

EF1B

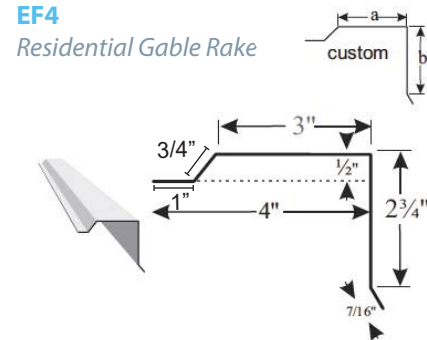
Residential Gable Rake



Application: GulfRib™ over battens

EF4

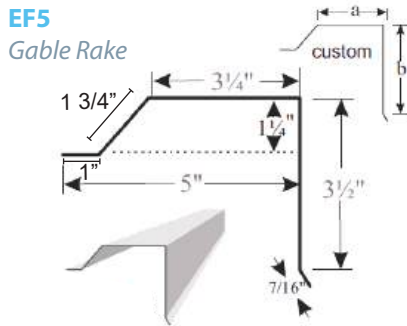
Residential Gable Rake



Application: 5V Crimp

EF5

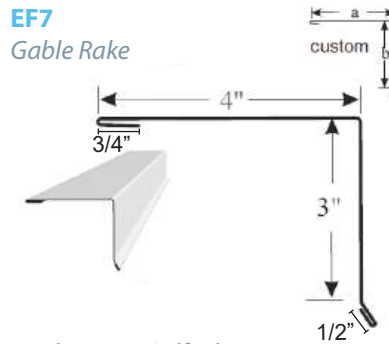
Gable Rake



Application: GulfPBR™

EF7

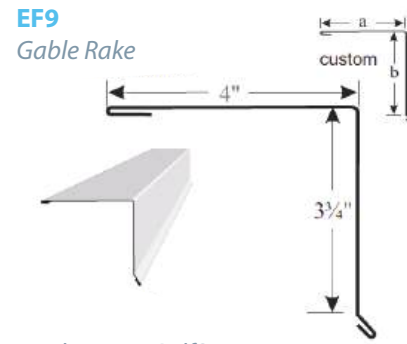
Gable Rake



Application: GulfLok™

EF9

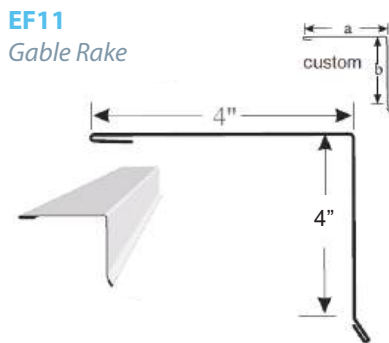
Gable Rake



Application: GulfSeam™

EF11

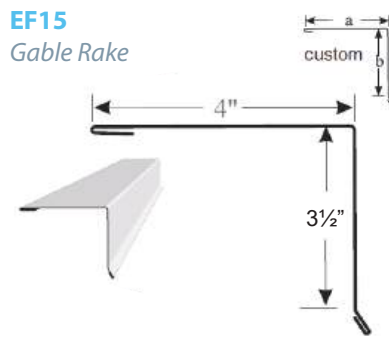
Gable Rake



Application: MegaLoc™

EF15

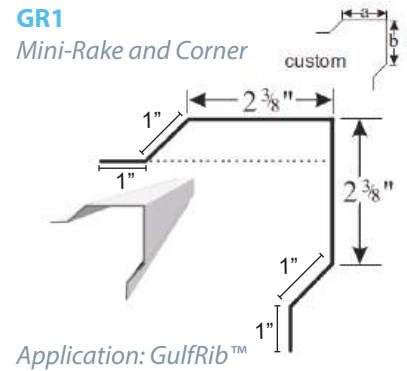
Gable Rake



Application: VersaLoc™ & GulfSnap™

GR1

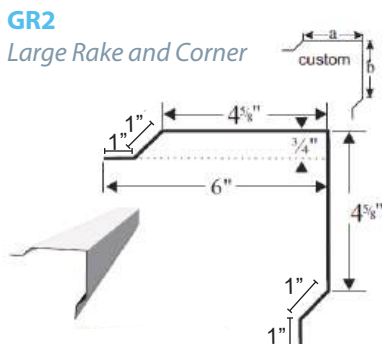
Mini-Rake and Corner



Application: GulfRib™

GR2

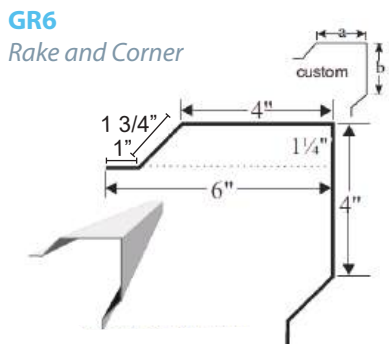
Large Rake and Corner



Application: GulfRib™

GR6

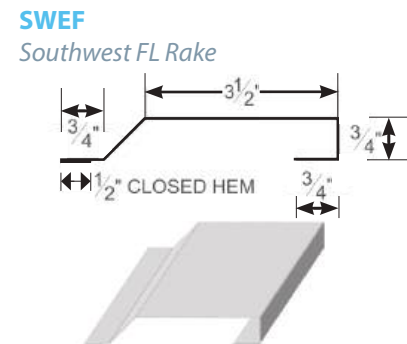
Rake and Corner



Application: GulfPBR™

SWEF

Southwest FL Rake

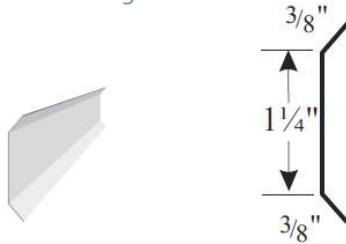


Application: 5V Crimp
Use with ED3 or ED1

WALL FLASHINGS

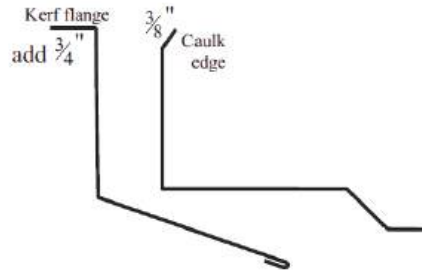
PAI__26(K)
PAI__24
PAI__32

CF1
Counterflashing

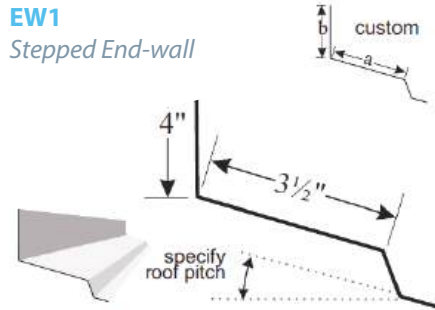


Application: All profiles

Add a Kerf Flange or Caulk Edge to any SW or EW

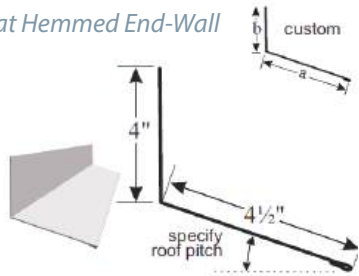


EW1
Stepped End-wall



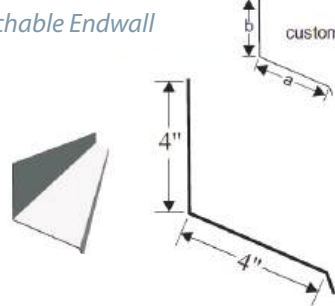
Application: Exposed fastener

EW2
Flat Hemmed End-Wall



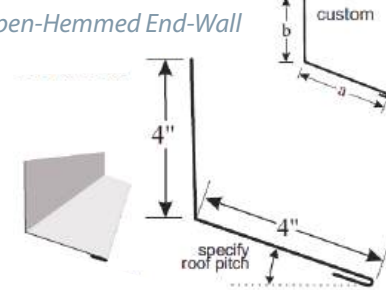
Application: Exposed fastener

EW4
Notchable Endwall



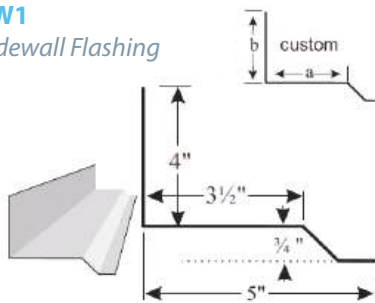
Application: 5V Crimp

EW7
Open-Hemmed End-Wall



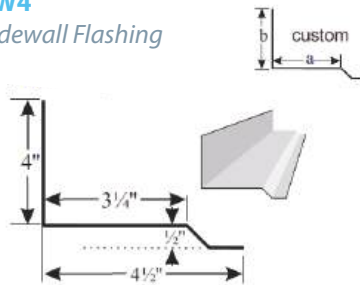
Application: Standing seam

SW1
Sidewall Flashing



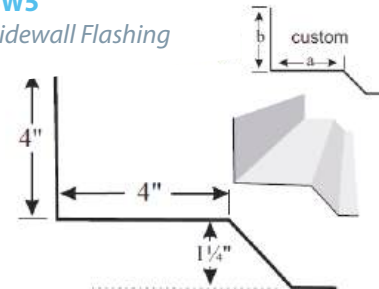
Application: GulfRib™

SW4
Sidewall Flashing



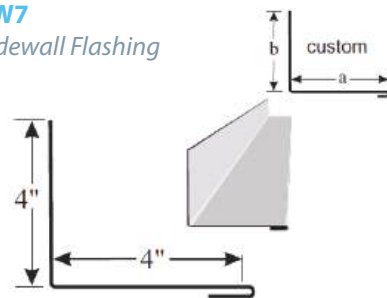
Application: 5V Crimp

SW5
Sidewall Flashing



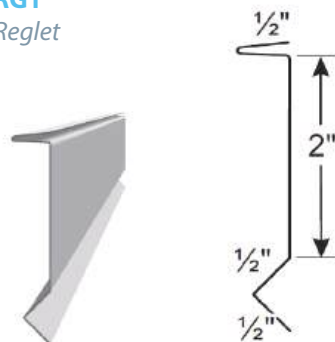
Application: GulfPBR™

SW7
Sidewall Flashing



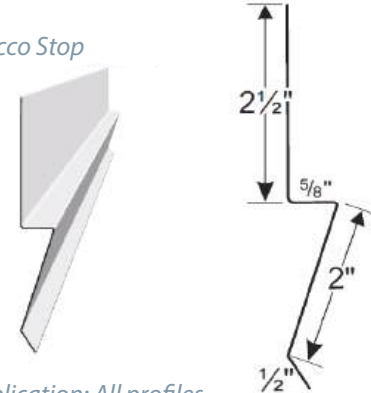
Application: Standing seam

RG1
Reglet



Application: All profiles

SS1
Stucco Stop



Application: All profiles

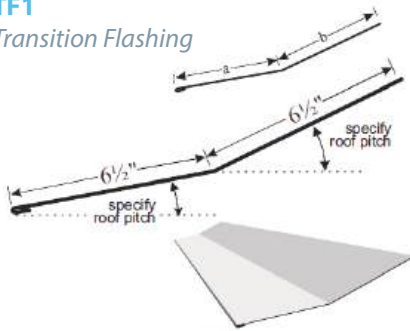
TRANSITIONS & VALLEYS

PAI 26(K)
PAI 24
PAI 32



TF1

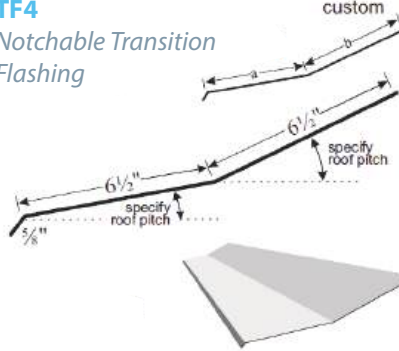
Transition Flashing



Application: Exposed fastener

TF4

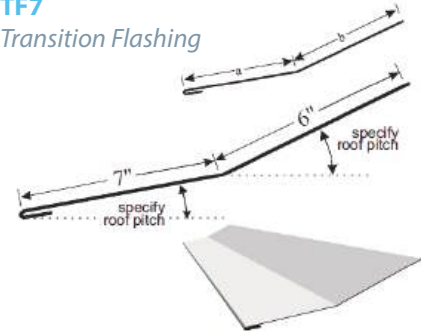
Notchable Transition Flashing



Application: All profiles

TF7

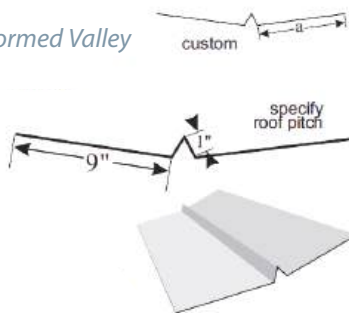
Transition Flashing



Application: Standing seam

PV1

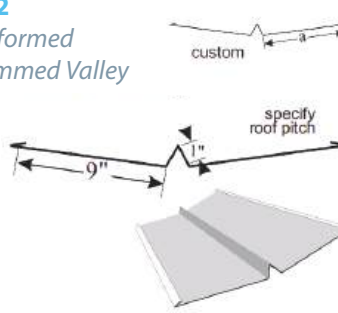
Preformed Valley



Application: All profiles

PV2

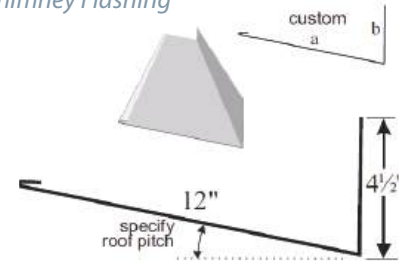
Preformed Hemmed Valley



Application: All profiles

CH1

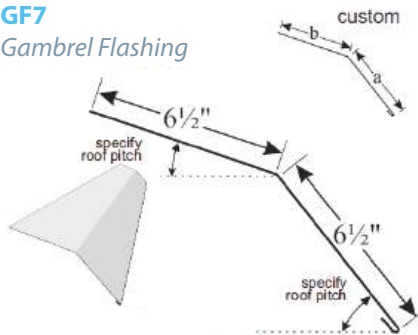
Chimney Flashing



Application: All profiles

GF7

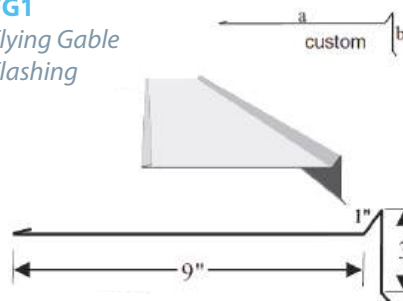
Gambrel Flashing



GF1 Application: Exposed fastener
GF7 Application: Standing seam

FG1

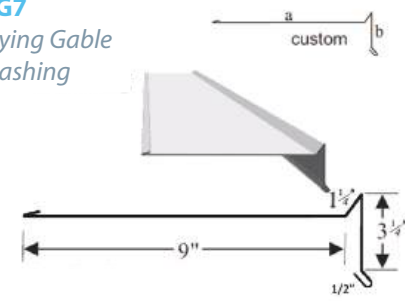
Flying Gable Flashing



Application: GulfRib™

FG7

Flying Gable Flashing



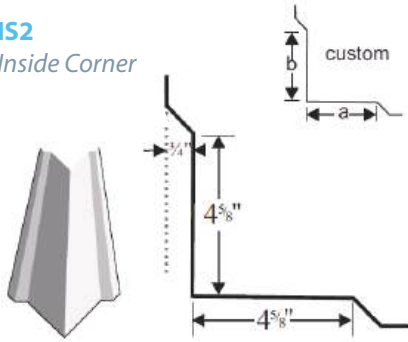
Application: Standing seam

CORNER TRIMS

PAI__26(K)
PAI__24
PAI__32

IS2

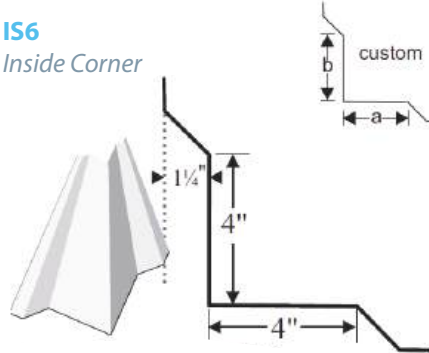
Inside Corner



Application: GulfRib™

IS6

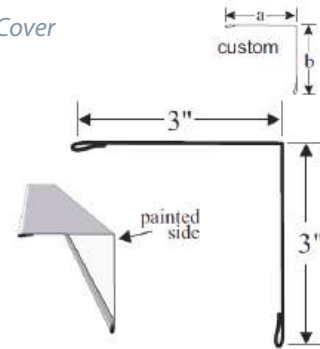
Inside Corner



Application: GulfRib™

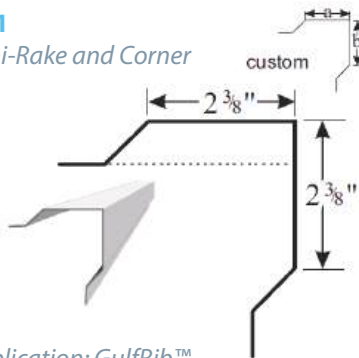
PC5

Post Cover



GR1

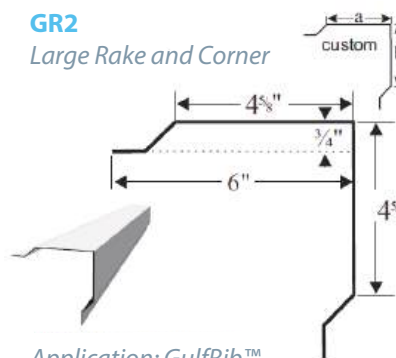
Mini-Rake and Corner



Application: GulfRib™

GR2

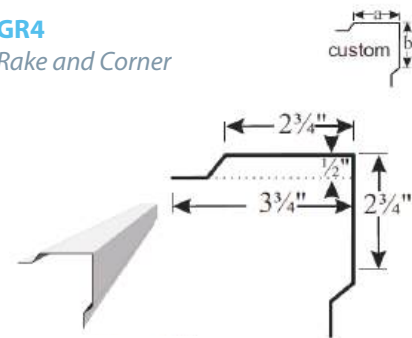
Large Rake and Corner



Application: GulfRib™

GR4

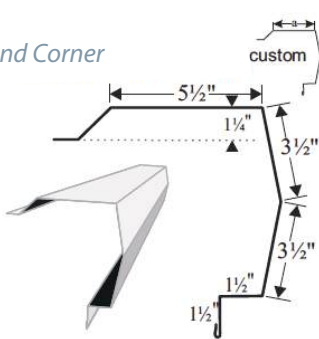
Rake and Corner



Application: 5V Crimp

GR5

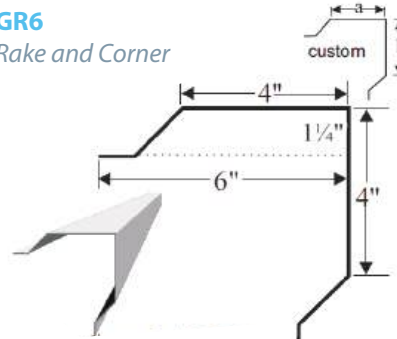
Rake and Corner



Application: GulfPBR™

GR6

Rake and Corner



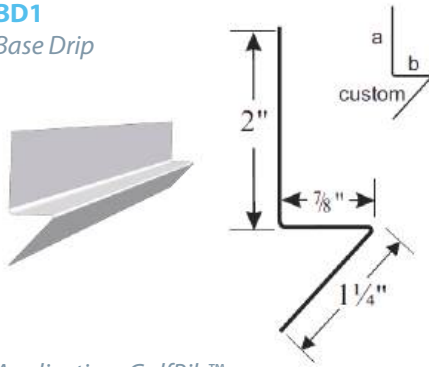
Application: GulfPBR™

PANEL CAPPING TRIMS

PAI 26(K)
PAI 24
PAI 32

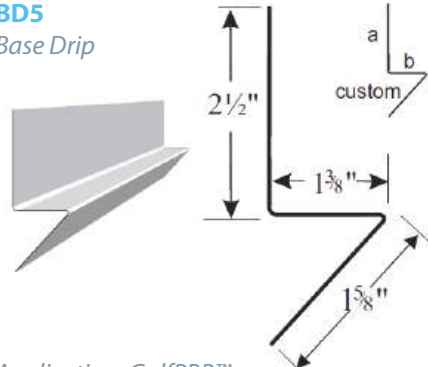


BD1
Base Drip



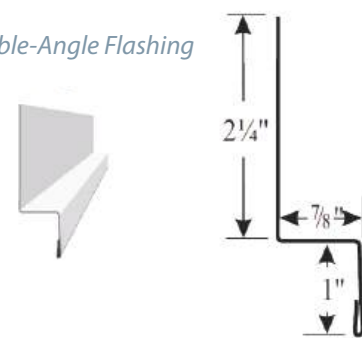
Application: GulfRib™

BD5
Base Drip



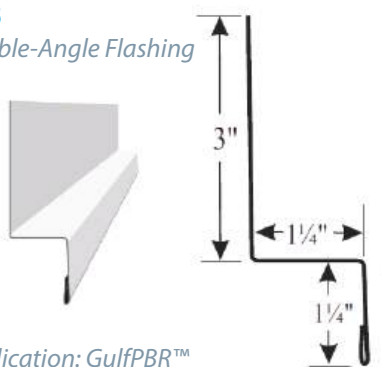
Application: GulfPBR™

DA1
Double-Angle Flashing



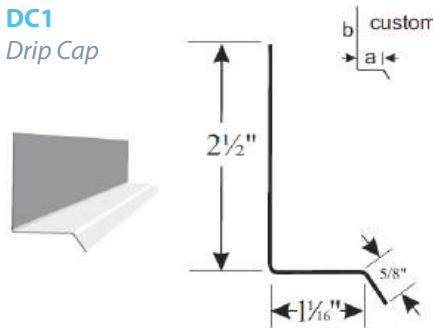
Application: GulfRib™

DA5
Double-Angle Flashing



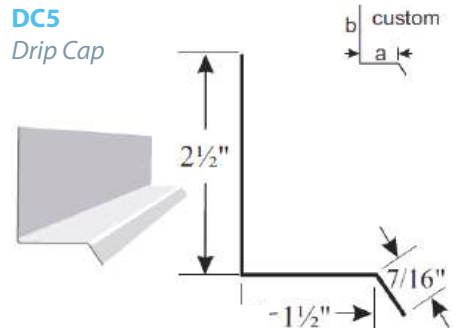
Application: GulfPBR™

DC1
Drip Cap



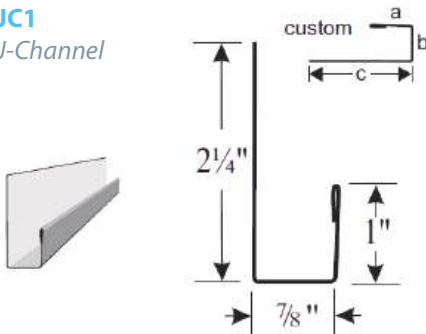
Application: GulfRib™

DC5
Drip Cap



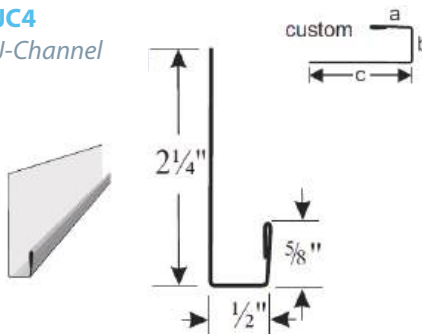
Application: GulfPBR™

JC1
J-Channel



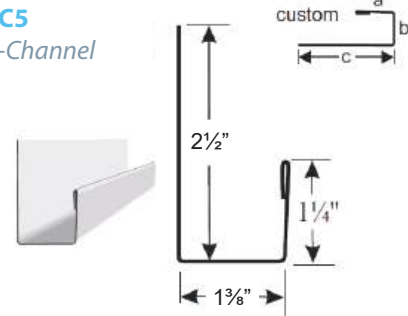
Application: GulfRib™

JC4
J-Channel



Application: 5V Crimp

JC5
J-Channel

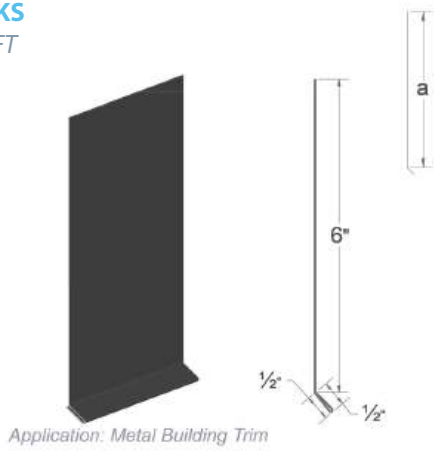


Application: GulfPBR™

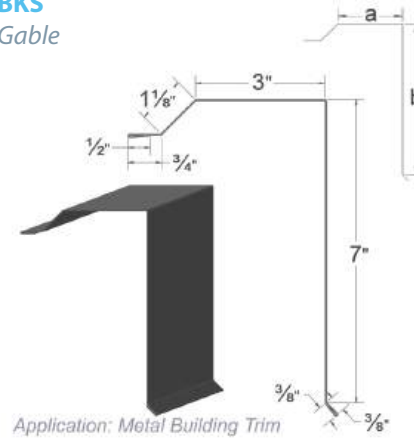
BUILDING TRIMS

PAI__26(K)
 PAI__24
 PAI__32

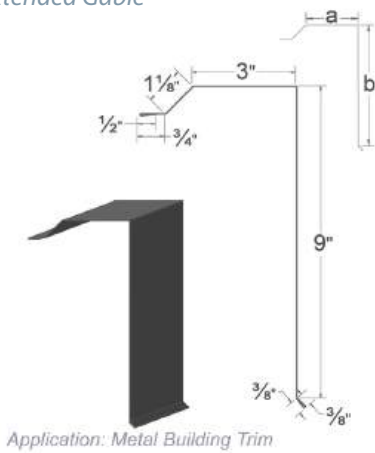
BKS
 BFT



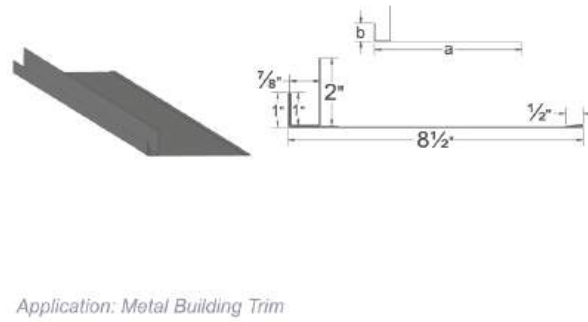
BKS
 Gable



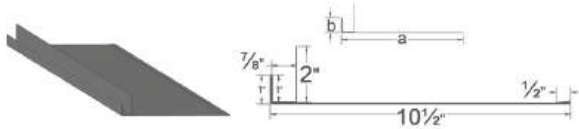
BKS
 Extended Gable



BKS
 OHDJ



BKS
 Extended OHDJ



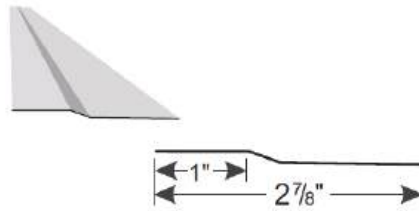
OTHER TRIMS

PAI__26(K)
PAI__24
PAI__32

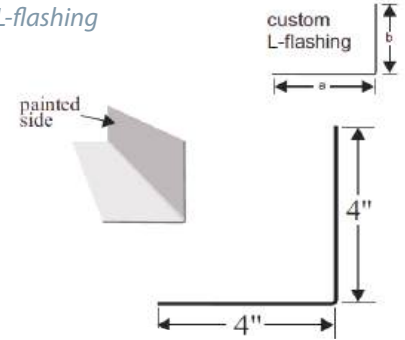
EC1
Eave Cleat



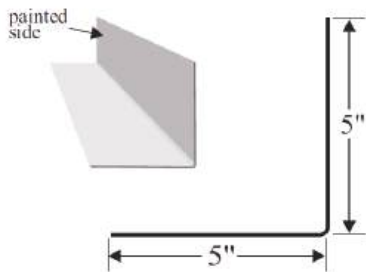
PS
Panel Starter



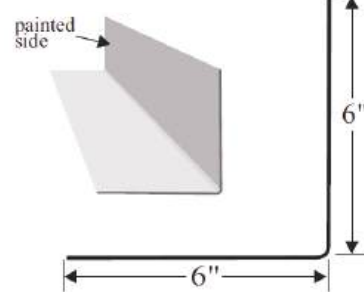
LF4
L-flashing



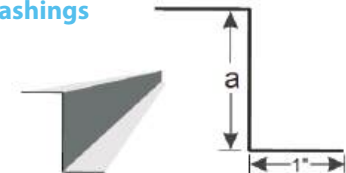
LF5
L-flashing



LF6
L-flashing

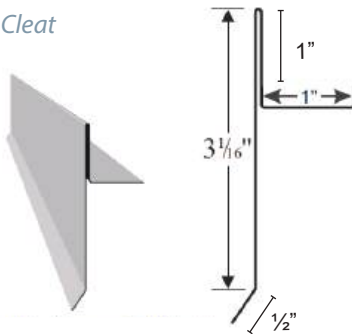


Z-Flashings



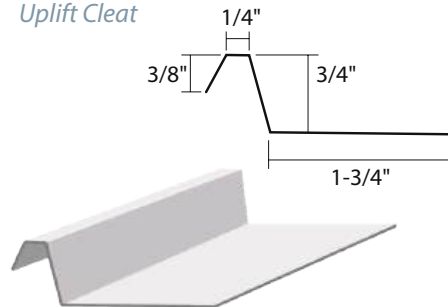
- » Z-Flashing GulfLok™ a: 7/8" **ZF7**
- » Z-Flashing GulfSeam™ a: 1 3/4" **ZF9**
- » Z-Flashing MegaLoc™ a: 2" **ZF11**
- » Z-Flashing VersaLoc™ a: 1 1/2" **ZF15**
- » Z-Flashing GulfSnap™ a: 1 1/2" **ZF15**

GC7
Gable Cleat



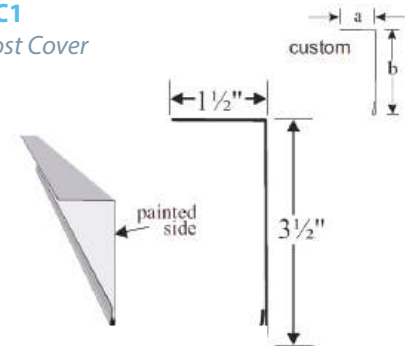
Application: GulfLok™

GLULCLIP
Uplift Cleat

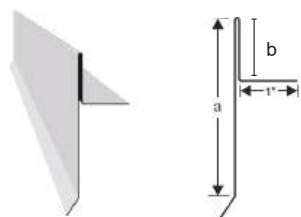


Application: GulfLok™

PC1
Post Cover



Other Gable Cleats



- » GulfSeam™ a: 3 3/4" b: 1 3/4" **GC9**
- » MegaLoc™ a: 4" b: 2" **GC11**
- » VersaLoc™ a: 3 1/2" b: 1 1/2" **GC15**



Visit our new online ordering platform

store.gulfcoastsupply.com



Convenience

Place your order from your office or jobsite 24/7.



Streamlined

User-friendly to ensure a seamless and hassle-free experience.



Efficiency

Eliminate potential communication errors and minimize the risk of order inaccuracies.



Support

Our dedicated customer service team is readily available to address any questions.

Click. Click. Ordered.

PRODUCT WARRANTIES

Guardian Guarantee

Ocean Guard™

50yr PVDF Painted Steel

1x transferable

50 yr

Coating; Chip, Peel, Cracking

35 yr

Fading, Chalking

50 yr

Substrate

50yr SMP Painted Steel

1x transferable

50 yr

Coating; Peel, Flaking or Loss of Adhesion

30 yr

Fading, Chalking

50 yr

Substrate

45yr Steel Mill Finish Substrate

45 yr
corrosion

50yr Saltwater PVDF Paint Aluminum

1x transferable

50 yr

Coating; Flaking, Loss Of Adhesion

35 yr

Fading, Chalking

20 yr

Substrate

*Salt and Brackish water setbacks:
• 1,500' from breaking surf/ coastline
• 800' from large bay/ inlet / canals
• 400' from marsh/ tributary

*Salt and Brackish water setbacks:
• 1,500' from breaking surf/ coastline
• 800' from large bay/ inlet / canals
• 400' from marsh/ tributary

*Salt and Brackish water setbacks:
• 1,500' from breaking surf/ coastline
• 800' from large bay/ inlet / canals
• 400' from marsh/ tributary

*No setback from salt/brackish water

1.888.393.0335 | www.GulfCoastSupply.com